

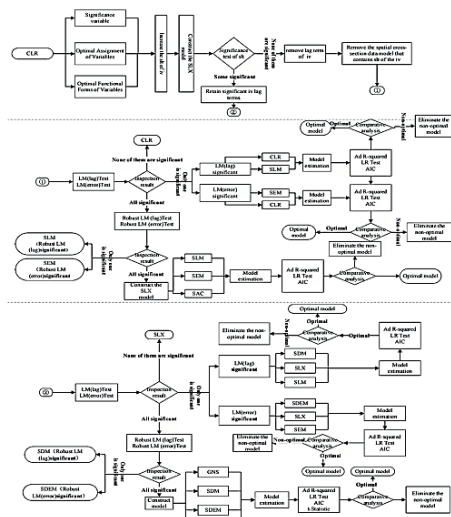
Supplementary information

PATH SELECTION OF SPATIAL ECONOMETRIC MODEL FOR MASS APPRAISAL OF REAL ESTATE: EVIDENCE FROM YINCHUAN, CHINA

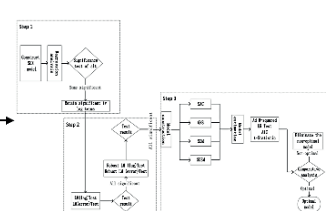
Yu ZHAO, Xuejia SHEN, Jian MA, Miao YU

Graphical Abstract

1 Selection path of spatial section data model



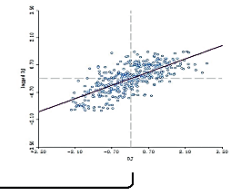
2 Model Building Path



4 Global autocorrelation test results



5 Local Moran's I scatter diagram



3 Spatial data collection and Vectorization

Map of administrative and sample points in Xixia District



6 LISA cluster diagram

